

Paper Feed Unit Type 4000 (G392)

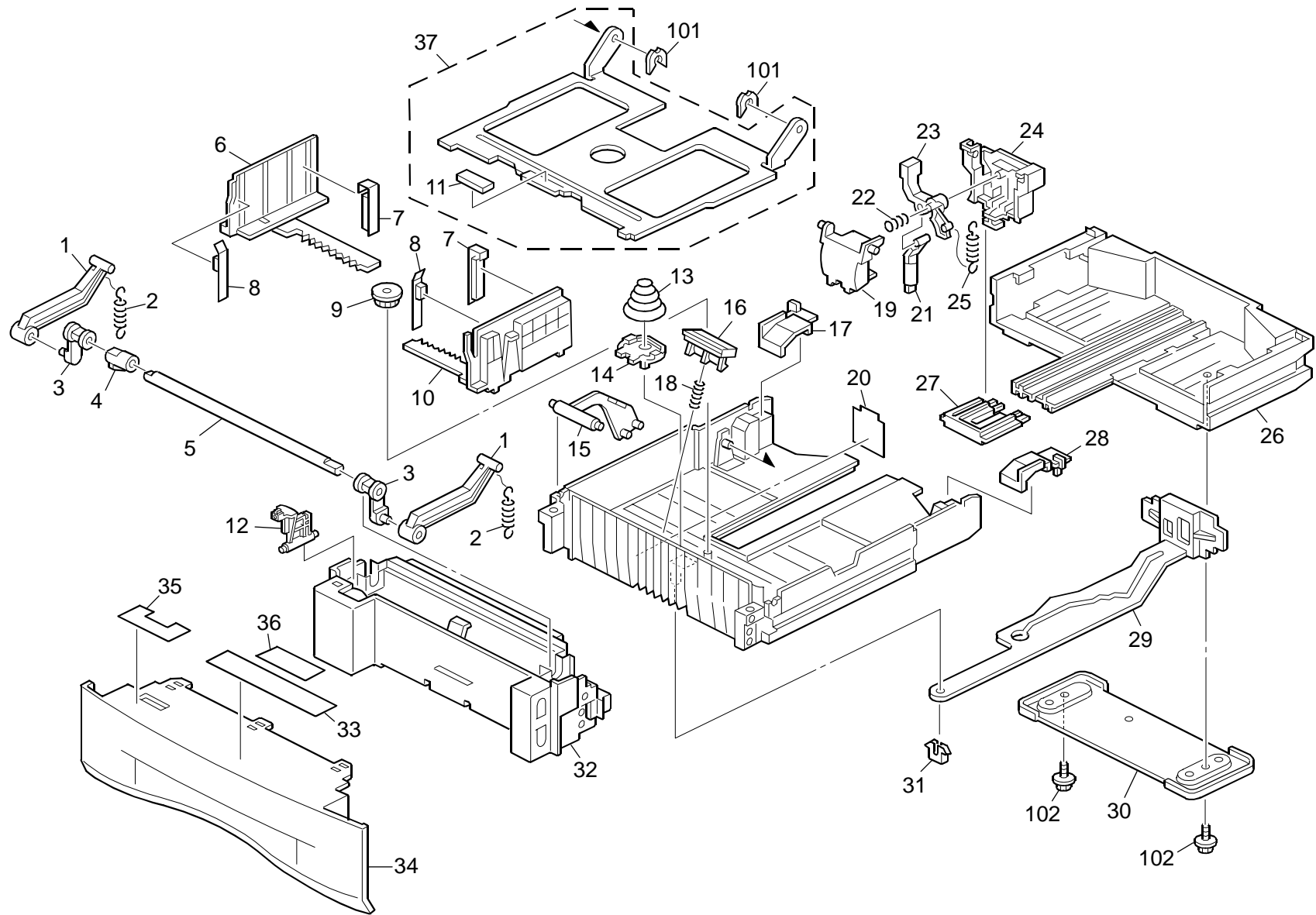
Paper Feed Unit Type 4000 (G392)

PARTS CATALOG

This catalog gives the numbers and names of parts on this machine.

1.EXTERIOR (G392)..... 2
2.PAPER FEED AND DRIVE (G392)..... 4
3.FRAME SECTION (G392)..... 6
PARTS INDEX **9**

1.EXTERIOR (G392)

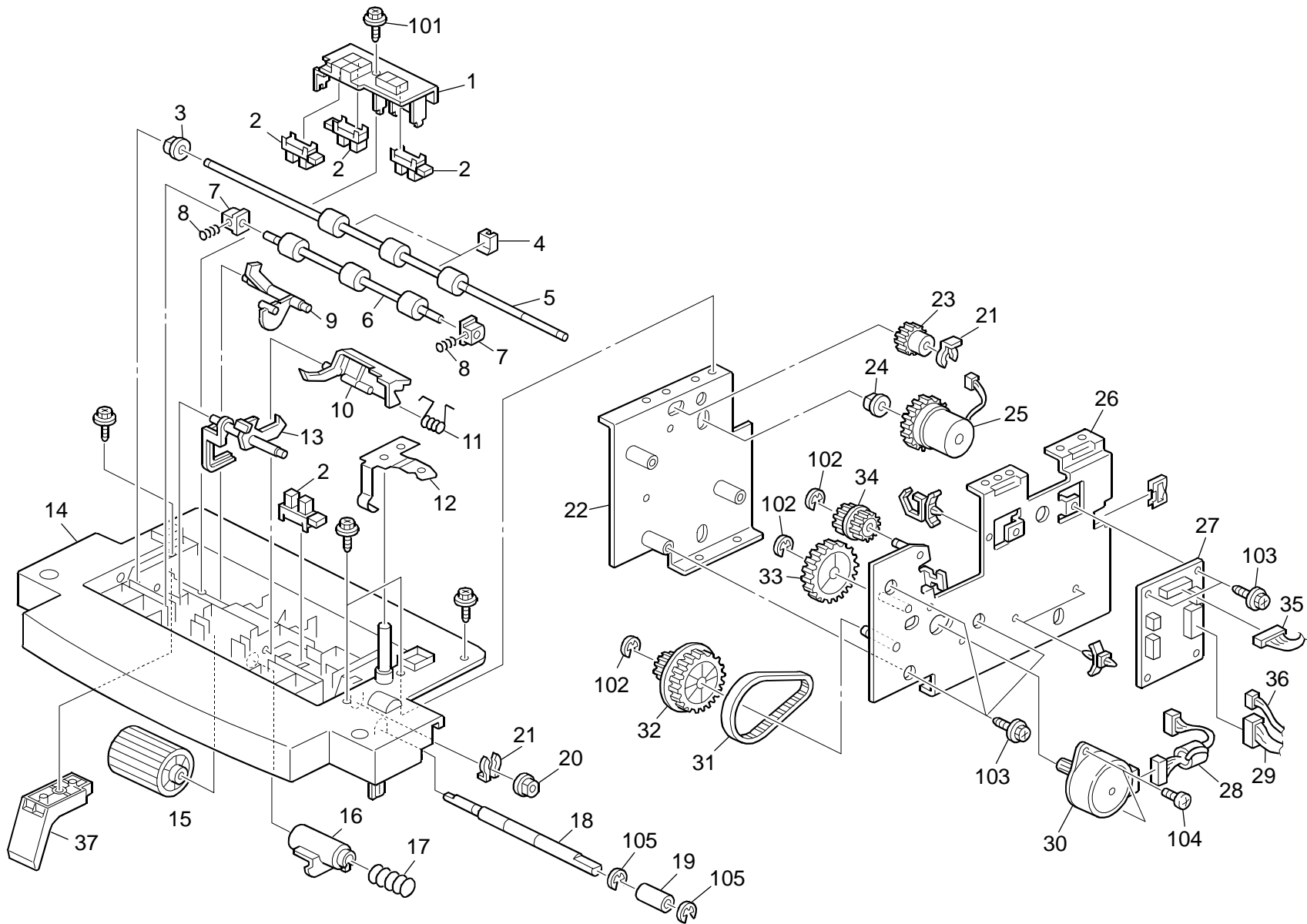


1.EXTERIOR (G392)

Index No.	Part No.	Description	Q'ty Per Assembly
*	G102 2525	Paper Tray:Ass'y	1
1	G102 2807	Arm:Pressure:Change	2
2	G096 3083	Spring Tension	2
3	G102 2804	Cam:Pressure:Paper Tray	2
4	G102 2808	Feeler:Pressure:Paper Tray	1
5	G102 2803	Shaft:Pressure:Paper Tray	1
6	G096 3055	Left Side Fence	1
7	G102 2835	Seal:Side Fence:Rear	2
8	G102 2834	Seal:Side Fence	2
9	A267 2869	Gear - 16Z	1
10	G096 3056	Right Side Fence	1
11	G029 2608	Base Pad	1
12	G102 2805	Lever:Pressure:Change	1
13	G102 2817	Compression Spring:Tray Bottom Plate	1
14	G102 2816	Holder:Compression Spring	1
15	G102 2809	Paper Volume Sensor Board:Base	1
16	G096 3066	Friction Pad Adhesion	1
17	G102 2813	Protection:Paper Tray:Left	1
18	G096 3084	Separation Compression Spring	1
19	G096 3088	End Fence Pressure	1
20	G102 2833	Sheet:Holder:Paper Tray	1
21	G096 3087	End Fence Protection	1
22	G096 3089	End Fence Compression Spring 3.5n	1
23	G096 3086	End Fence Lever	1
24	G096 3085	End Fence	1
25	G096 3090	End Fence Tension Spring 12n	1
26	G096 3060	Rear Paper Tray	1
27	G102 2814	Rail:End Fence:Auxiliary	1
28	G102 2812	Protection:Paper Tray:Right	1
29	G102 2815	Paper Size Sensor Board	1
30	G096 3065	Paper Tray Supporting Plate	1
31	G102 2832	Protection:Paper Size Sensor Board	1
32	G102 2802	Guide Plate:Paper Tray	1
33	GA00 3118	Decal:Paper Set Direction:Paper Tray	1
34	G102 2801	Cover:Paper Tray	1

Index No.	Part No.	Description	Q'ty Per Assembly
35	GA00 3150	Decal:Operate:Paper Tray:Switch:EXP	1
36	GA00 3151	Decal:Paper Set Direction	1
37	G102 2818	Tray Bottom Plate:Adhesion	1
101	0805 0089	Retaining Ring - M4	
102	0450 3008N	Tapping Screw - M3x8	

2.PAPER FEED AND DRIVE (G392)

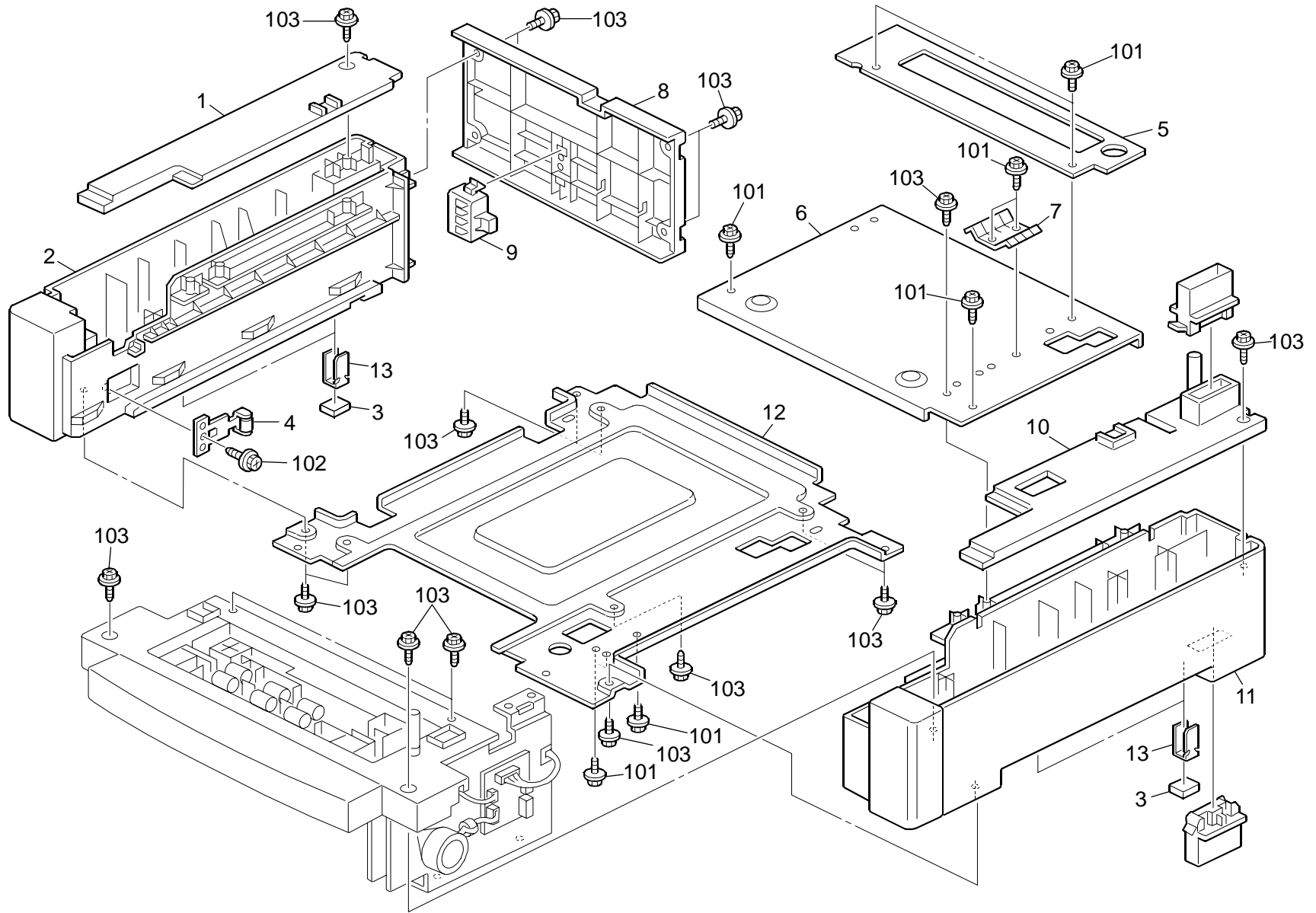


2.PAPER FEED AND DRIVE (G392)

Index No.	Part No.	Description	Q'ty Per Assembly
1	G392 3228	Bracket:Paper Feed:Sensor:Upper	1
2	AW02 0086	Photointerruptor	4
3	AA08 0252	Bushing - M4	1
4	G360 3145	Middle Roller Bushing	2
5	G392 3411	Roller:Middle:Drive	1
6	G392 3116	Roller:Middle:Driven	1
7	G555 3117	Roller Holder	2
8	G360 3142	Compression Spring	2
9	G102 2826	Feeler:Paper End Sensor	1
10	G360 3119	Transport Sensor Feeler	1
11	G555 3127	Feeler Spring	1
12	G392 3322	Spring Ground Plate	1
13	G102 2831	Feeler:Paper Volume Sensor	1
14	G392 3310	Stay:Paper Feed:Adhesion	1
15	G052 3103	Paper Feed Roller	1
16	G102 2825	Bushing:Paper Feed Roller	1
17	G392 2657	Compression Spring:Paper Feed	1
18	G392 3215	Shaft:Paper Feed	1
19	G392 3218	Collar:Paper Feed	1
20	5053 0447	Bushing - 6mm	1
21	5447 2681	Snap Ring	2
22	G392 3213	Bracket:Drive:Peen	1
23	J502 3118	Gear:Roller Clutch	1
24	5053 0223	Bushing - 8mm	1
25	G392 3250	Magnetic Clutch:Paper Feed	1
26	G392 3211	Bracket:Motor:Peen	1
27	G392 5100	PCB:Bank:Ass'y	1
28	G392 5325	Harness:Motor:Ass'y	1
29	G392 5300	Harness:I/F:Ass'y	1
30	AX04 0216	Stepper Motor:MM42:UD2A	1
31	G392 3225	Timing Belt:40s2m166	1
32	G392 3226	Gear:Slow Down	1
33	G392 3227	Gear:Idler:Option Tray	1
34	G360 3247	Gear Idler-20/21z	1
35	G392 5310	Harness:Sensor:Ass'y	1

Index No.	Part No.	Description	Q'ty Per Assembly
36	G392 5320	Harness:Paper Size Sensor:Ass'y	1
37	G392 3313	Guide:Arm	1
101	0450 3008N	Tapping Screw - M3x8	
102	0720 0040E	Retaining Ring - M4	
103	0451 3006N	Tapping Screw - 3x6	
104	0453 3006N	Tapping Screw - M3x6	
105	0720 0060E	Retaining Ring - M6	

3.FRAME SECTION (G392)



3.FRAME SECTION (G392)

Index No.	Part No.	Description	Q'ty Per Assembly
1	G392 1096	Cover:Upper Left	1
2	G392 1051	Frame:Left	1
3	G102 1042	Rubber Foot:Machine Or Copier	4
4	G392 1086	Spring Plate:Paper Tray:Ass'y	2
5	G392 1091	Plate - Support	1
6	G392 1071	Stay:Frame	1
7	G392 1075	Ground Plate:Stay	2
8	G392 1081	Cover:Rear	1
9	G392 5550	Push Switch:Paper Size Sensor	1
10	G392 1095	Cover:Upper Right	1
11	G392 1061	Frame:Right	1
12	G392 1041	Base:Frame	1
13	G392 1066	Holder:Rubber Foot	4

Index No.	Part No.	Description	Q'ty Per Assembly
101	0451 3006N	Tapping Screw - 3x6	
102	0450 3008N	Tapping Screw - M3x8	
103	0453 3006N	Tapping Screw - M3x6	

Parts Index

Parts Index

Part No.	Description	Page and Index No.
G392 1041	Base:Frame	7 - 12
G392 1051	Frame:Left	7 - 2
G392 1061	Frame:Right	7 - 11
G392 1066	Holder:Rubber Foot	7 - 13
G392 1071	Stay:Frame	7 - 6
G392 1075	Ground Plate:Stay	7 - 7
G392 1081	Cover:Rear	7 - 8
G392 1086	Spring Plate:Paper Tray:Ass'y	7 - 4
G392 1091	Plate - Support	7 - 5
G392 1095	Cover:Upper Right	7 - 10
G392 1096	Cover:Upper Left	7 - 1
G392 2657	Compression Spring:Paper Feed	5 - 17
G392 3116	Roller:Middle:Driven	5 - 6
G392 3211	Bracket:Motor:Peen	5 - 26
G392 3213	Bracket:Drive:Peen	5 - 22
G392 3215	Shaft:Paper Feed	5 - 18
G392 3218	Collar:Paper Feed	5 - 19
G392 3225	Timing Belt:40s2m166	5 - 31
G392 3226	Gear:Slow Down	5 - 32
G392 3227	Gear:Idler:Option Tray	5 - 33
G392 3228	Bracket:Paper Feed:Sensor:Upper	5 - 1
G392 3250	Magnetic Clutch:Paper Feed	5 - 25
G392 3310	Stay:Paper Feed:Adhesion	5 - 14
G392 3313	Guide:Arm	5 - 37
G392 3322	Spring Ground Plate	5 - 12
G392 3411	Roller:Middle:Drive	5 - 5
G392 5100	PCB:Bank:Ass'y	5 - 27
G392 5300	Harness:I/F:Ass'y	5 - 29
G392 5310	Harness:Sensor:Ass'y	5 - 35
G392 5320	Harness:Paper Size Sensor:Ass'y	5 - 36
G392 5325	Harness:Motor:Ass'y	5 - 28
G392 5550	Push Switch:Paper Size Sensor	7 - 9

Part No.	Description	Page and Index No.
A267 2869	Gear - 16Z	3 - 9
G029 2608	Base Pad	3 - 11
G052 3103	Paper Feed Roller	5 - 15
G096 3055	Left Side Fence	3 - 6
G096 3056	Right Side Fence	3 - 10
G096 3060	Rear Paper Tray	3 - 26
G096 3065	Paper Tray Supporting Plate	3 - 30
G096 3066	Friction Pad Adhesion	3 - 16
G096 3083	Spring Tension	3 - 2
G096 3084	Separation Compression Spring	3 - 18
G096 3085	End Fence	3 - 24
G096 3086	End Fence Lever	3 - 23
G096 3087	End Fence Protection	3 - 21
G096 3088	End Fence Pressure	3 - 19
G096 3089	End Fence Compression Spring 3.5n	3 - 22
G096 3090	End Fence Tension Spring 12n	3 - 25
G102 1042	Rubber Foot:Machine Or Copier	7 - 3
G102 2525	Paper Tray:Ass'y	3 - *
G102 2801	Cover:Paper Tray	3 - 34
G102 2802	Guide Plate:Paper Tray	3 - 32
G102 2803	Shaft:Pressure:Paper Tray	3 - 5
G102 2804	Cam:Pressure:Paper Tray	3 - 3
G102 2805	Lever:Pressure:Change	3 - 12
G102 2807	Arm:Pressure:Change	3 - 1
G102 2808	Feeler:Pressure:Paper Tray	3 - 4
G102 2809	Paper Volume Sensor Board:Base	3 - 15
G102 2812	Protection:Paper Tray:Right	3 - 28
G102 2813	Protection:Paper Tray:Left	3 - 17
G102 2814	Rail:End Fence:Auxiliary	3 - 27
G102 2815	Paper Size Sensor Board	3 - 29
G102 2816	Holder:Compression Spring	3 - 14
G102 2817	Compression Spring:Tray Bottom Plate	3 - 13
G102 2818	Tray Bottom Plate:Adhesion	3 - 37
G102 2825	Bushing:Paper Feed Roller	5 - 16
G102 2826	Feeler:Paper End Sensor	5 - 9

Part No.	Description	Page and Index No.
G102 2831	Feeler:Paper Volume Sensor	5 - 13
G102 2832	Protection:Paper Size Sensor Board	3 - 31
G102 2833	Sheet:Holder:Paper Tray	3 - 20
G102 2834	Seal:Side Fence	3 - 8
G102 2835	Seal:Side Fence:Rear	3 - 7
G360 3119	Transport Sensor Feeler	5 - 10
G360 3142	Compression Spring	5 - 8
G360 3145	Middle Roller Bushing	5 - 4
G360 3247	Gear Idler-20/21z	5 - 34
G555 3117	Roller Holder	5 - 7
G555 3127	Feeler Spring	5 - 11
J502 3118	Gear:Roller Clutch	5 - 23

Part No.	Description	Page and Index No.
AA08 0252	Bushing - M4	5 - 3
AW02 0086	Photointerruptor	5 - 2
AX04 0216	Stepper Motor:MM42:UD2A	5 - 30
GA00 3118	Decal:Paper Set Direction:Paper Tray	3 - 33
GA00 3150	Decal:Operate:Paper Tray:Switch:EXP	3 - 35
GA00 3151	Decal:Paper Set Direction	3 - 36

Part No.	Description	Page and Index No.
0450 3008N	Tapping Screw - M3x8	3 - 102
0450 3008N	Tapping Screw - M3x8	5 - 101
0450 3008N	Tapping Screw - M3x8	7 - 102
0451 3006N	Tapping Screw - 3x6	5 - 103
0451 3006N	Tapping Screw - 3x6	7 - 101
0453 3006N	Tapping Screw - M3x6	5 - 104
0453 3006N	Tapping Screw - M3x6	7 - 103
0720 0040E	Retaining Ring - M4	5 - 102
0720 0060E	Retaining Ring - M6	5 - 105
0805 0089	Retaining Ring - M4	3 - 101

Part No.	Description	Page and Index No.
5053 0223	Bushing - 8mm	5 - 24
5053 0447	Bushing - 6mm	5 - 20
5447 2681	Snap Ring	5 - 21